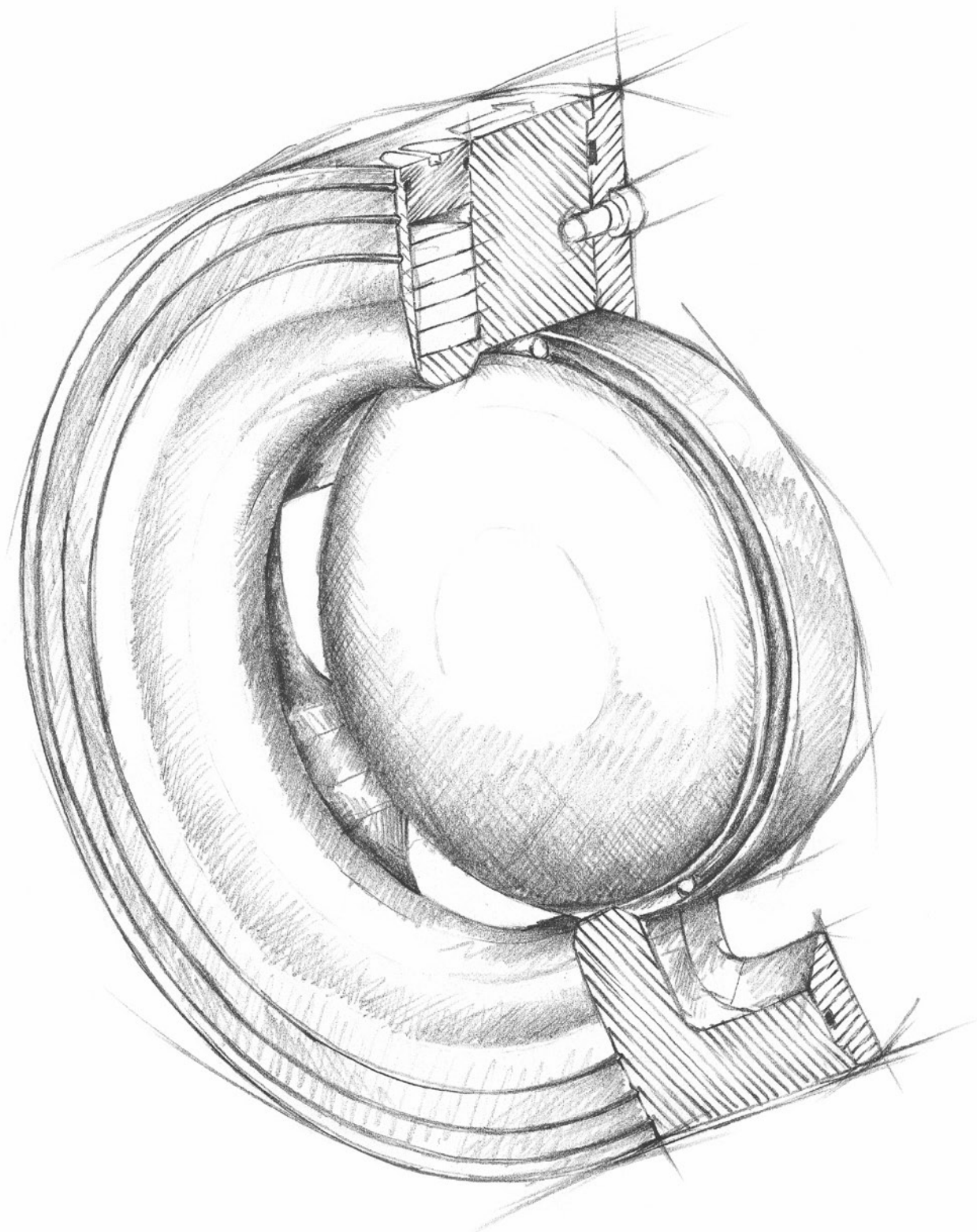


Y GROS

VALVES



TECHNICAL SHEET
NON RETURN VALVE WAFER FOR VACUUM INDUSTRY
AND WATER TREATMENT

MADE in ITALY

GB

MATERIALS

Valve Body/connections: AISI304, AISI316L
Shutter: DUPLEX

FINISHING SURFACES

External/Internal finishing start from Ra 0.4 to Ra 3.2

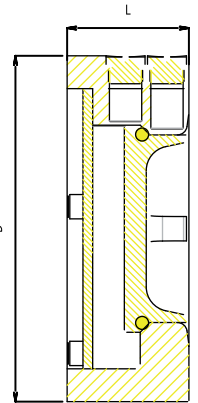
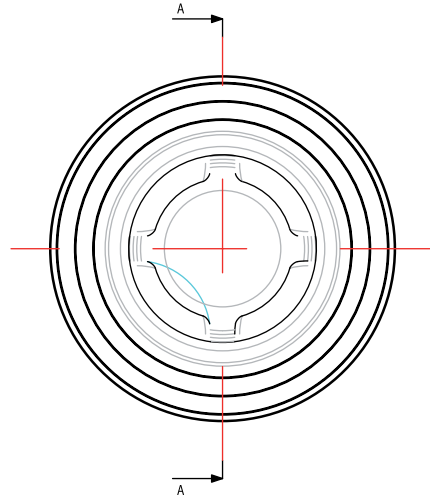
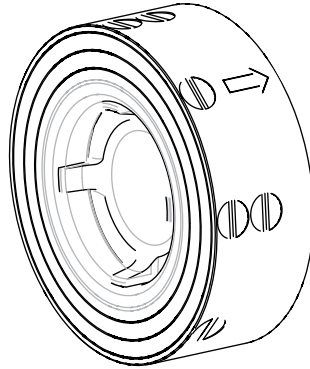
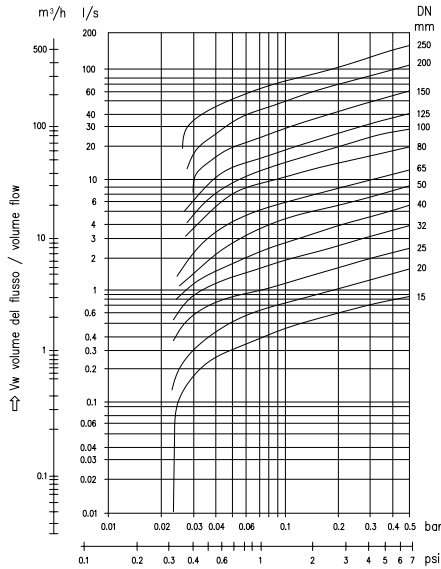
SEALS

EPDM, NBR, FPM (Viton), Silicon, FEP

TECHNICAL DATA

The differential pressure required to open the valve when it is installed in a vertical pipe is about 6 kPa (0.06 bar). During operation the pressure difference to keep open the valve is approximately 2 kPa (0.02 bar).

Pressure max 1600 kPa (16 bar)
Temperature max 220 °C
Temperature min -10°C



The graphic represents Wafer valve with standard setting.

Wafer Ygros valves are suitable to be mounted between connections as:

- UNI-DIN PN6, 10, 16, 25, 40
- ANSI B 16.1 classe 125 E 150

Measures	DN15	DN20	DN25	DN32	DN40	DN50	DN65	DN80	DN100	DN 125	DN 150	DN 200
Weight (Kg)	0.15	0.2	0.25	0.6	0.9	1.3	2.2	3.4	5.2	7	8.5	15
L (mm)	16	19	22	28	32	40	46	50	60	90	106	140
D (mm)	44	53	55	78	88	98	116	142	158	185	210	265

These dimensions are available for standard valves. The open pressure of Wafer standard non return valves can be regulated without disassembly the valve and in the install location. YGROS S.r.l. reserves the right to change specifications without notice.

Order

SHUTTER MATERIAL
O = DUPLEX

INTERNAL FINISHING SURFACE
R = Ra≤3,2 electropolished
M = Ra≤0,8
F = Ra≤0,4
E = Ra≤0,4 electropolished

EXTERNAL FINISHING SURFACE

SEALS
N = NBR
E = EPDM
V = VITON
S = SILICON
F = FEP

NUMBER OF MAGNETS

WORKING TEMPERATURE
1 = 150°C
2 = 180°C
3 = 220°C

W 1 0050 16 1 0 M R V 12 1

TYPE
W = WAFER

VERSION

DIMENSION
DN = 0010...0100...
Inch = 01-2...01-0...21-2...

WORKING PRESSURE
16 = PN16

BODY MATERIAL
0 = AISI304
1 = AISI316L

Are available shapes, materials and finishes details on request, in this case contact directly YGROS s.r.l. at www.ygros.com